

## The club Shop

<http://www.nbtv.wyenet.co.uk/clubshop.htm>

Sales provides members of the club with stock of components, printed circuit boards, software, wide range of printed material including pre-recorded NBTV test signals on CD that are of special interest to NBTV hobbyists.

The following items are for sale to club members.

CAD design files for latest laser printed television.

Lenses and Photo sensor cells

Pre-programmed PIC and EPROM devices for past projects

Laser-cut Nipkow disks of various sizes, material, and hole configuration

Printed Circuit boards for projects (subject to availability)

Opto components

Disk motors

Semiconductors

Publications including latest handbook

Software

Archive material USB 'thumb drive' including all past newsletters and original WEB site files.

Diffuser material

Most of the common items for sale are shown below but we have accumulated a stock of semiconductors and more obscure items we are able to offer members. Links to these are on our club's website

<http://www.nbtv.wyenet.co.uk/scan.pdf>

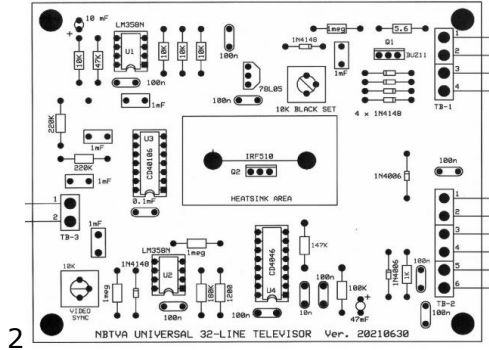
<http://www.nbtv.wyenet.co.uk/scan0001.pdf>

As prices and postage rates fluctuate, please contact us via

<http://www.nbtv.wyenet.co.uk/contact.html> for price and availability.

Please note as we are a small club, we will only send items via the UK's Royal Mail Post office system. At extra cost we can offer tracking.

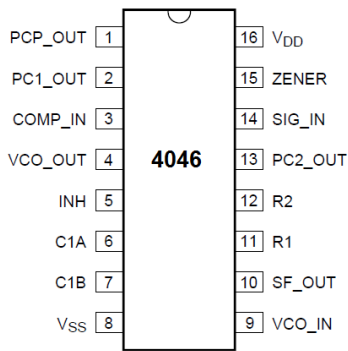




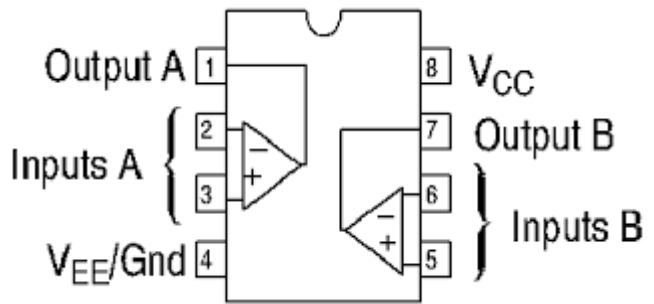
Raph Taggart's combined Motor and LED driver board unpopulated



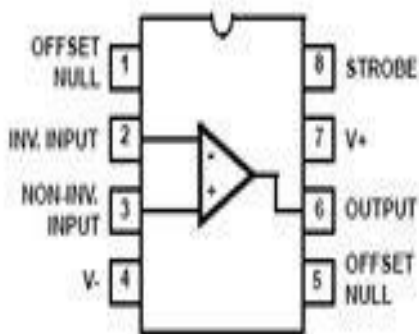
Motor for 12-inch disc televisions



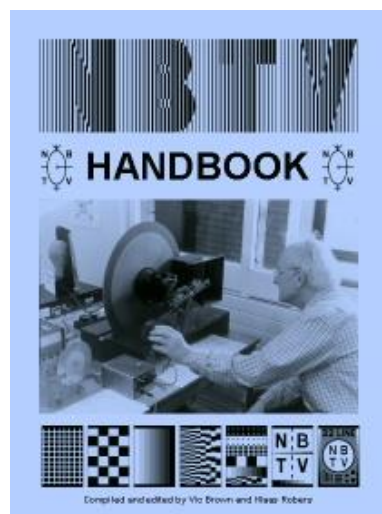
4046 IC for motor control



CA3240 IC for LED drivers



CA3140 IC for LED drivers



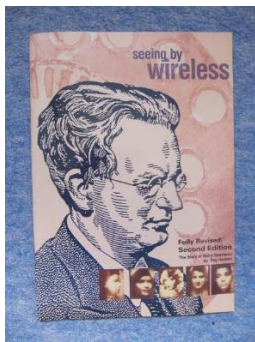
Latest Handbook USB stick version only



Ralp Taggart's Single board controller



Ralph Taggart's EPROM based NBTv signal generator



Seeing by wires publication



Laser cut design files for Televisor



Programmed PIC for Chris Lewis's control board



Plastic hub for 12-inch discs



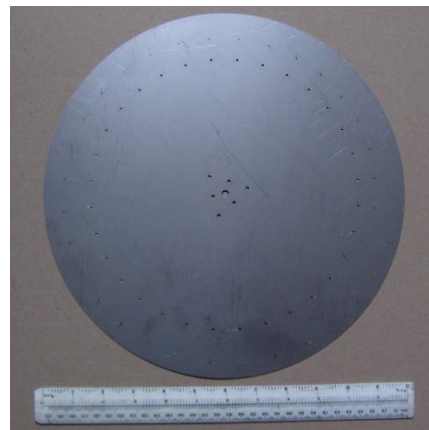
Terry clip for motor support



USB contains all previous Newsletters and documentation



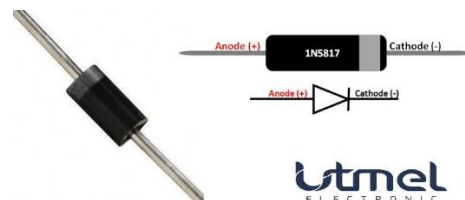
Diffuser material for LED display enclosure



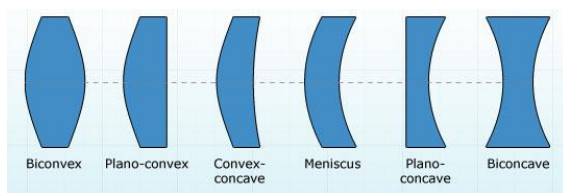
12-inch Manila and stainless steel Nipkow discs



PIC Firmware for Karen Orton's 625 to 32 Line convertor



1N5817 diode



Lenses for NBTV projects  
<http://www.nbtv.wyenet.co.uk/scan.pdf>

### Publications

PRICE GBP (£)

NBTV test signals CD	£5
Latest Handbook USB stick version only	£5
USB contains all previous Newsletters and documentation	£10
Seeing by wires publication	£0.50

### Hardware

Laser cut design files for Televisor	FREE
Motor for 12-inch disc televisions	£3.50
Plastic hub for 12-inch discs	£0.50
Terry clip for motor support	£0.50
	£0.50 small sheet
Diffuser material for LED display enclosure	
Lenses see <a href="http://www.nbtv.wyenet.co.uk/scan.pdf">http://www.nbtv.wyenet.co.uk/scan.pdf</a>	
12-inch Manila Nipkow disc	£7.50
12-inch Stainless steel Nipkow disc	£11.00
Other discs see <a href="http://www.nbtv.wyenet.co.uk/scan.pdf">http://www.nbtv.wyenet.co.uk/scan.pdf</a>	
Manila laser cut drum strip	£6.00

### Printed circuit boards

LED display board unpopulated	£2.00
Peter Smiths early LED driver board unpopulated	£3.00
Peter Smiths Early Motor driver board unpopulated	£3.00
625 to NBTV Conversion board unpopulated	£5.00

Chris Lewis's combined Motor and LED driver board unpopulated	£5.00
Raph Taggart's combined Motor and LED driver board unpopulated	£5.00

#### **Semiconductors**

4046 IC for motor control	£0.75
CA3240 IC for LED drivers	£1.50
CA3140 IC for LED drivers	£1.50
1N5817 diode	£0.50
Other devices see <a href="http://www.nbtv.wyenet.co.uk/scan0001.pdf">http://www.nbtv.wyenet.co.uk/scan0001.pdf</a>	

#### **Programmed devices**

Programmed PIC for Chris Lewis's control board	£3.00
Programmed PIC for 625-to-32-line convertor	£5.00
Other devices see <a href="http://www.nbtv.wyenet.co.uk/scan0001.pdf">http://www.nbtv.wyenet.co.uk/scan0001.pdf</a>	

#### **Documentation packages**

Ralph Taggart's Single board controller documentation package	£3.00
Ralph Taggart's EPROM based NBTv signal generator	£3.00

#### **Optical devices**

Optical devices see <http://www.nbtv.wyenet.co.uk/scan.pdf>